

# LINEAR AIR TRACK – booster kit

**Cat: MF0136A-101**

**DESCRIPTION:**

The booster kit is an additional kit of parts to extend the standard kit. It includes a heavy ‘Stop Block’ mounted on a felt lined piece of glider material that can be positioned part way along a track to divide the track into separate sections so that two students can perform experiments simultaneously. The heavy block is fixed to the felt lined glider with a special screw and nut.

All the other parts are extra quantities of standard parts as described in the standard kit.

**NEW STYLE AIR TRACK BOOSTER KIT: KIT PARTS in MF0136A-101**

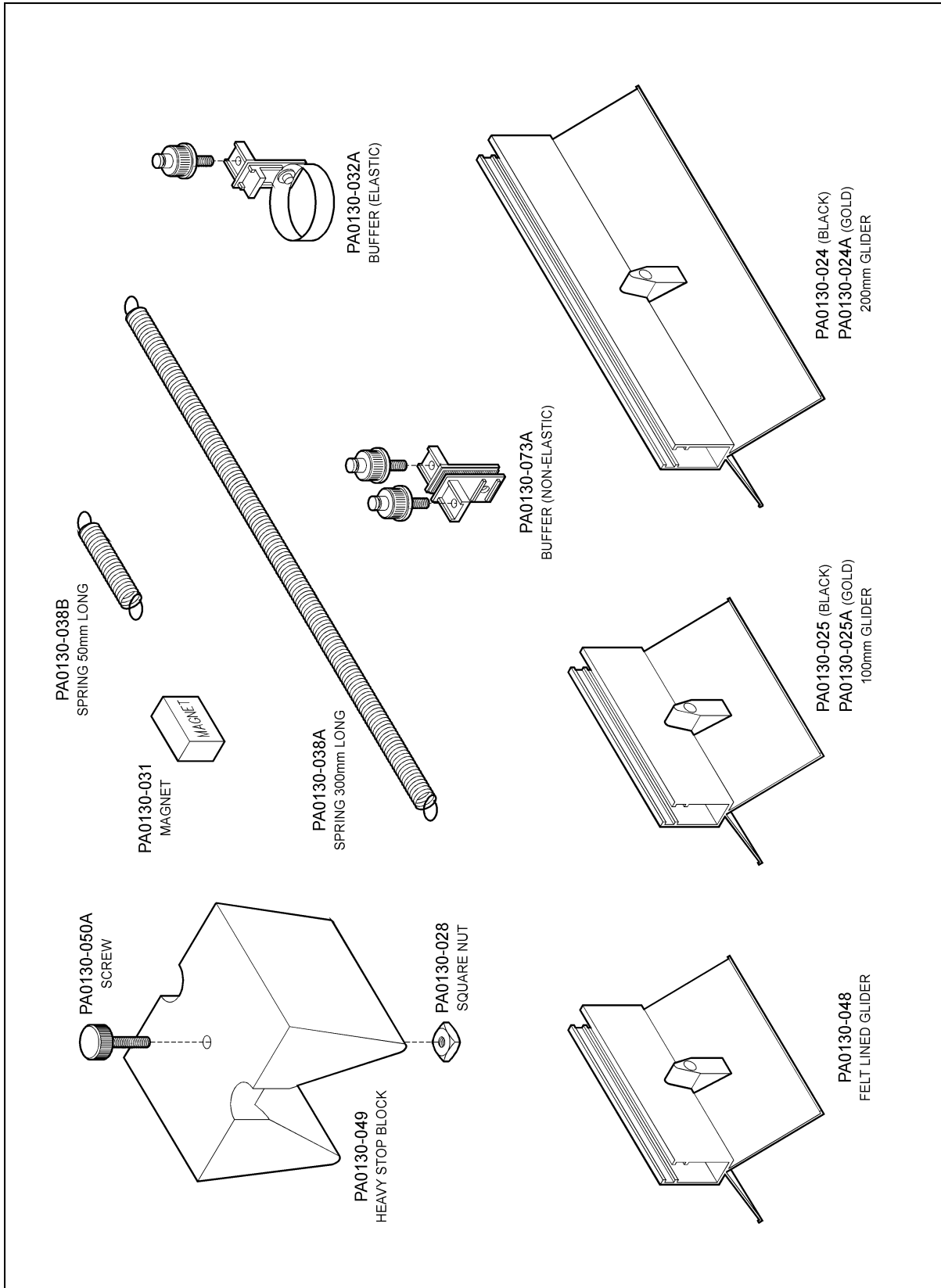
Glider 200mm long	1x	either black or gold	PA0130-024 or 024A
Glider 100mm long	1x	either black or gold	PA0130-025 or 025A
Buffer, elastic, with moulding	4x	buffers for gliders, c/with screws	PA0130-032A
Buffer, non-elastic, with ‘velcro’	2x	hold together, c/with screws	PA0130-073A
Magnet for glider, 50g	2x	each weighs 50g	PA0130-031
Coil spring, 300mm long	1x	long s/s spring	PA0130-038A
Coil spring, 50mm long	4x	short s/s springs	PA0130-038B
Felt lined glider to divide track	1x	short glider with felt	PA0130-048
Heavy stop block to attach to glider	1x	heavy metal block	PA0130-049
Screw attachment	1x	special knurled screw	PA0130-050A
Square aluminium nut	1x	square aluminium nut	PA0130-028

**MF0136A-101 air track booster kit**



**Physical size: bagged**

**Weight: 2.3 kg**



Designed and manufactured in Australia