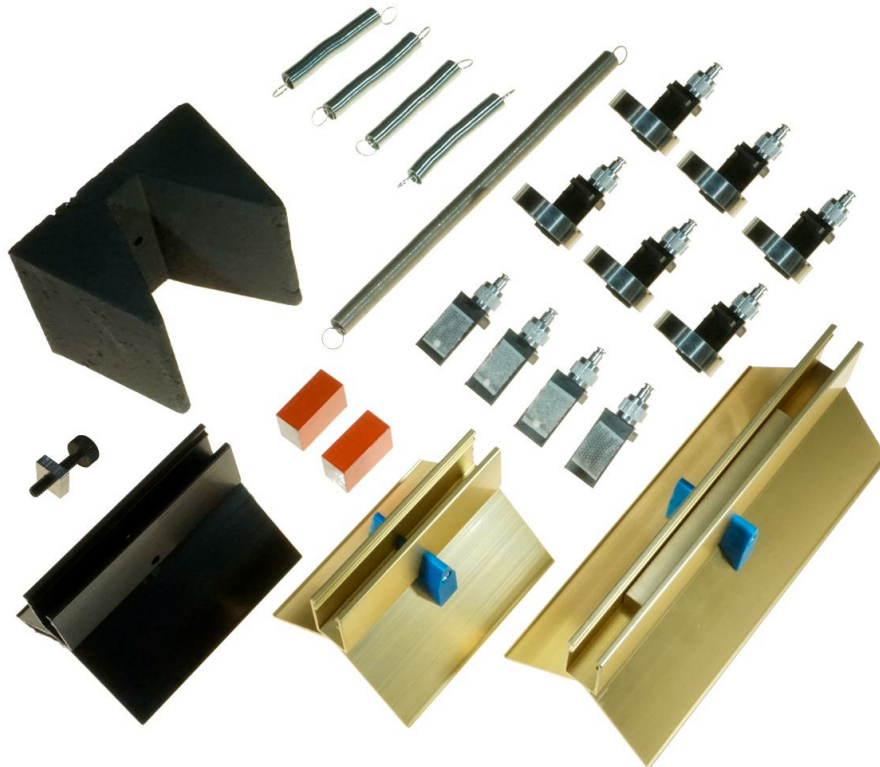


Linear Air Track

Booster Kit



MF0136A-101 Air Track Booster Kit

Description:

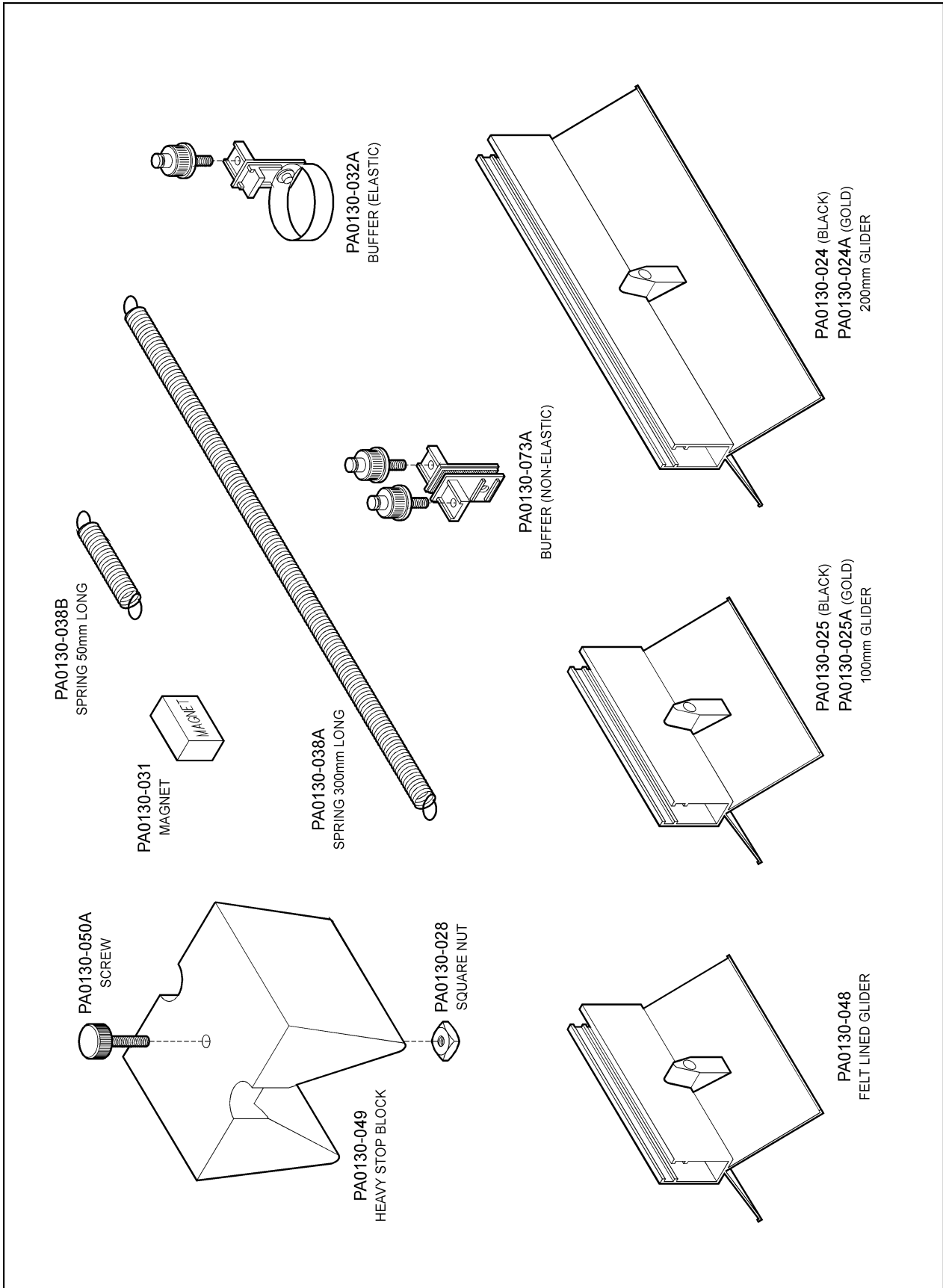
The booster kit is an additional kit of parts to extend the standard kit. It includes a heavy 'Stop Block' mounted on a felt lined piece of glider material that can be positioned part way along a track to divide the track into separate sections so that two students can perform experiments simultaneously. The heavy block is fixed to the felt lined glider with a special screw and nut.

All the other parts are extra quantities of standard parts as described in the standard kit.

New Style Air Track Booster Kit: Kit Parts In MF0136A-101

Glider 200mm long	1x either black or gold	PA0130-024 or 024A
Glider 100mm long	1x either black or gold	PA0130-025 or 025A
Buffer, elastic, with moulding	4x buffers for gliders, c/with screws	PA0130-032A
Buffer, non-elastic, with 'velcro'	2x hold together, c/with screws	PA0130-073A
Magnet for glider, 50g	2x each weighs 50g	PA0130-031
Coil spring, 300mm long	1x long s/s spring	PA0130-038A
Coil spring, 50mm long	4x short s/s springs	PA0130-038B
Felt lined glider to divide track	1x short glider with felt	PA0130-048
Heavy stop block to attach to glider	1x heavy metal block	PA0130-049
Screw attachment	1x special knurled screw	PA0130-050A
Square aluminium nut	1x square aluminium nut	PA0130-028

Physical size: Bagged	Weight: 2.3 kg
-----------------------	----------------



Designed and manufactured in Australia

INDUSTRIAL EQUIPMENT & CONTROL PTY.LTD.

61-65 McClure St. Thornbury. 3071 Melbourne. Australia
 Tel: 61 (0)3 9497 2555 Email: iec@iecipl.com.au www.iecipl.com.au